



OWNER'S MANUAL

SLP-05

Pure Balanced Vacuum Tube
Preamplifier

NOTE: Before installing your new component, please read this manual carefully as it will inform you of the product specifications, proper installation and correct operating procedures for your unit. Also included in this manual are guidelines on how to service and care for your new Cary Audio Design product.

TABLE OF CONTENTS

Important Safety Instructions	2
Welcome	
Product Overview	4
Circuitry	5
Unpacking and Installation	6
Specifications	
General Specifications.....	7
Features.....	8
Controls	
Front Panel Preamplifier.....	9
Rear Panel Preamplifier.....	11
Front Panel Power Supply	12
Front Panel Power Supply	13
Remote Control.....	14
Operation	
Basic Operation.....	15
Headphone Listening	15
Service and Care	
Care and Cleaning	16
Factory Service	16
Non-Warranty Repairs	16
Tube Placement Chart	17
Limited Warranty	18

IMPORTANT SAFETY INSTRUCTIONS

WARNING: The triangle with the lightning flash symbol displayed on the unit advises the user of dangerous un-insulated voltage inside the product's enclosure.



CAUTION: To reduce the risk of electric shock, do not remove the cover. There are no user-serviceable parts inside; it is recommended that only qualified personnel service this component.

ALERT: The triangle with the exclamation point symbol on the component suggests that the owner refer to important operating and maintenance instructions in the owner's manual.

1. **OWNER'S MANUAL:** Before powering up the equipment, read all safety and operating instructions and follow them as instructed. Retain the safety and operating instructions for future reference.
2. **ATTACHMENTS:** Use only those attachments recommended by the unit manufacturer, as others may cause hazards.
3. **ACCESSORIES:** Do not place the unit on an unstable cart, stand, tripod, bracket, or table. The unit may fall, causing injury to a person or damage to the unit. Mount the unit according to the manufacturer's instructions with the suggested mounting accessory.
4. **WALL OR CEILING MOUNTING:** Mount the unit to a wall or ceiling only in the manner recommended by the manufacturer.
5. **WATER AND MOISTURE:** Do not use the unit near water (for example, near a swimming pool, bath tub, wash bowl, kitchen sink, or laundry tub) or in a damp environment (like a basement or outside in the rain).
6. **OBJECT AND LIQUID ENTRY:** Do not push objects of any kind into the unit through openings as they could touch dangerous voltage points and short-out parts, possibly resulting in a fire or electric shock. Avoid spilling liquid of any kind on the unit. If water or any metal object (such as a paper clip, coin, or staple) accidentally falls inside the unit, disconnect it from the AC power source immediately and contact Cary Audio Design for further instructions.
7. **HEAT:** Position the unit away from heat sources such as radiators, heat registers, stoves, or other units (including amplifiers) that produce heat.
8. **VENTILATION:** Slots and openings in the cabinet create ventilation to protect the component from overheating. These openings on the top and bottom panels must remain unobstructed. Allow at least 6 inches (16cm) of clearance above the unit and an opening behind the unit for airflow. Do not place the unit on a bed, sofa, rug, built-in bookcase, or rack without adequate ventilation.
9. **GROUNDING OR POLARIZATION:** As a safety feature, the unit may be equipped with a polarized alternating current line plug in which one blade is wider than the other. This plug will fit into the power outlet only one way. If you cannot insert the plug fully into the outlet, try reversing the plug. If the plug still will not fit, contact a licensed electrician to update your obsolete outlet. Do not defeat the safety purpose of the polarized plug.
10. **POWER SOURCES:** Operate the unit only from the power source indicated on the marking label. If you are unsure of the type of power supplied to your home, consult your unit dealer or local power company.
11. **POWER CORD PROTECTION:** Arrange power supply cords so that they do not suffer from foot traffic or pinching by items placed on or against them. Pay close attention to cords where plug enter the AC outlet and where they exit from the unit.
12. **LIGHTNING:** For added protection during a lightning storm or when the component is idle for long periods of time, unplug the unit from the wall outlet and disconnect the antenna or cable system. This will help protect the unit from lightning and power line surge damage.
13. **POWER LINES:** Do not locate an outside antenna system in the vicinity of overhead power lines or other electric light or power circuits. When installing an outside antenna system, take extreme care to avoid touching the power lines or circuits; contact with them could be fatal.
14. **OVERLOADING:** Do not overload wall outlets, extension cords, or integral convenience receptacles as this increases the risk of fire or electric shock.

IMPORTANT SAFETY INSTRUCTIONS

15. **REPLACEMENT PARTS:** When replacement parts are required, be sure the service technician has used replacement parts specified by the manufacturer or those having the same characteristics as the original parts. Unauthorized substitutions may result in fire, electric shock or other hazards.
16. **SAFETY CHECK:** Upon completion of any service or repairs to the unit, ask the service technician to perform safety checks to ensure the unit is in proper operating condition.
17. **IMPORTANT SAFETY NOTE:**
 - Before connecting a new product such as the CD 303T to your audio or home theater system, turn off all other equipment (preferably unplugging them from the AC power source). Many audio components feature automatic turn-on circuits that may activate during an installation, potentially causing damage to electronic components and/or speakers. This type of damage is not covered by product warranties, and Cary Audio specifically disclaims responsibility for any such damage.
 - **Power Cord:** The removable power cord provided with your player was specifically designed for use with this product, but other AC cords may be used. Consult your dealer for advice on AC power cords and high quality wire in your system.
 - **AC Fuse:** The fuse is located inside the chassis and is not user serviceable. If the unit does not power up, contact an authorized service representative
 - **Wiring:** Cables running inside walls should have the appropriate markings to indicate compliance and listing by the UL, CSA or other standards required by the UL, CSA, NEC or your local building code. Questions about cables inside of walls should be referred to a qualified custom installer, a licensed electrician, or low-voltage contractor.
18. **RECORDING COPYRIGHT:** Recording of copyrighted material for other than personal use is illegal without permission of the copyright holder.
19. **NOTE TO CATV SYSTEM INSTALLER:** This reminder is provided to call the CATV system installer's attention to article 820-40 of the NEC, ANSI/NFPA 70, which provides guidelines for proper grounding and, in particular, specifies that the cable ground shall be connected to the grounding system of the building as close to the point of cable entry as practical.



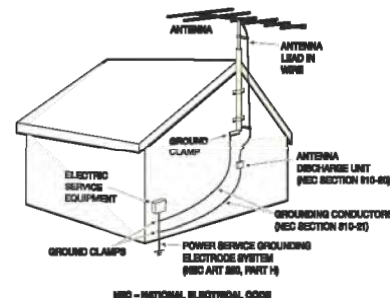
20. **FCC INFORMATION FOR USER:**

- **CAUTION:** Any changes or modifications not expressly approved by Cary Audio Design could void the user's authority to operate the equipment.
- **NOTE:** This equipment has been tested and found to comply with the limits for a Class B digital device pursuant to Part 15 of the FCC Rules.
- These limits are designed to provide reasonable protection against harmful interference in a residential installation. This equipment generates and can radiate radio frequency energy, and if not installed and used in accordance with the instructions it may cause harmful interference to radio communications. However, there is no guarantee that interference will not occur in a particular installation. If this equipment does cause harmful interference to radio or television reception, which can be determined by turning the equipment off and on, the user is encouraged to try to correct the interference by one or more of the following measures:
 - Reorient or relocate the receiving antenna.
 - Increase the separation between the equipment and receiver.
 - Connect the equipment into an outlet on a circuit different from where the receiver is connected.



21. **OUTDOOR ANTENNA INSTALLATION/SAFE ANTENNA AND CABLE CONNECTION:**

- If an outside antenna or cable system is connected to the equipment, be sure the antenna or cable system is grounded in order to provide protection against built-up static charges and voltage surges. Article 810 of the National Electrical Code, ANSI/NFPA 70 (in Canada, Part 1 of the Canadian Electrical Code) provides information regarding proper grounding of the mast and supporting structure, grounding of the lead-in wire to an antenna discharge unit, size of grounding conductors, location of antenna discharge unit, connection to grounding electrodes and requirements for the grounding electrode.
- Outside antenna system should be located well away from power lines, electric light or power circuits and where it will never come into contact with these power sources if it should happen to fall. When installing an outside antenna, extreme care should be taken to avoid touching power lines, circuits or other power sources as this could be fatal. Because of the hazards involved, antenna installation should be left to a professional



WELCOME

PRODUCT OVERVIEW

We at Cary Audio Design would like to thank you for purchasing the new SLP 05 preamplifier.

The following is an overview of the design characteristics of the SLP 05.

The SLP 05 employs a fully balanced circuit topology, from input-to-output, that actively cancels external electrical and radio frequency noise picked up by audio cables. The sonic result is a greatly improved signal-to-noise level ratio with palpable, three-dimensional images of instruments and vocalists in a natural acoustic space. Balanced operation also ensures more than adequate output voltage to drive any balanced amplifier throughout the entire audio range with the all-too-rare combination of vibrancy, immediacy and control. An added feature of the new SLP 05 permits "balanced to single-ended" and "single-ended to balanced" audio connections for the greatest flexibility of use in your system.

Listeners today have more choices of playback sources than ever before, and the SLP 05 offers complete flexibility to accommodate them. In addition to three RCA unbalanced line level inputs, there are two balanced XLR stereo inputs along with a dedicated tape input as well. Included is a pair of cinema processor inputs for either RCA single-ended or XLR balanced connections. Outputs include both RCA single-ended and Balanced XLR connections. The XLR balanced in and out connections follow the "Canon plugs" pin out wiring standard. Pin #1 is the shield, pin #2 is the normal-phase (hot lead) and pin #3 is the inverted signal.

The special Cinema Bypass feature routes the balanced or unbalanced cinema inputs directly to their corresponding outputs, bypassing all the SLP 05 circuitry and turning over control to the user's cinema processor. The cinema bypass circuitry may be engaged by toggling the Cinema bypass switch on the front panel of the preamplifier. If the SLP 05 power switch is turned to the off position, the SLP 05 automatically defaults to the cinema bypass mode.

All switches in the SLP 05 are gold-contact types to ensure signal purity and high resistance to wear and oxidation over years of use. Single-throw toggle switches and solid-seating rotary switches along the machined aluminum front panel are easy to use and provide unambiguous indication even in low light. All source inputs and the audio mute function are switched through hermetically sealed, gold plated contact relays. Listening level (volume) is controlled with a high-precision Alps potentiometer that is mechanically driven by command from the infrared remote control. A front-panel mute/operate switch offers additional convenience when switching cables or changing a record. Remote muting is also possible by switching the SLP 05 remote handset button to the mute position. The remote handset now takes over the control of this feature.

Reflecting the growing popularity of high performance headphones, the SLP 05 features a state of the art headphone amplifier stage based on the popular 6SN7 vacuum tube. This is a "zero feedback" circuit design and is transformer-coupled, guaranteeing extended, uniform frequency response regardless of the headphone driver type. Sufficient drive current is available to power headphones with impedance's from 30 to 300 ohms. A front panel toggle switch allows use of the onboard headphone amplifier.

WELCOME

CIRCUITRY

The SLP 05 is a no compromise line stage and headphone amp. The power supply is vacuum tube rectified and has a 5AR4 vacuum tube rectifier lying on its side inside the unit. The 5AR4 tube has a separate cathode from the filament so any position of mounting is proper. It was horizontally mounted to keep the power supply the same height as the preamplifier. The rectifier tube provides the high-voltage (B+) plate voltage. Two separate filter chokes and a fully regulated shunt coupling capacitor ensure stable and ripple-free voltage resulting in a very low noise and spacious sound stage.

The preamplifier has eight (8) 6SN7 dual triodes octal socket vacuum tubes. Four (4) of the 6SN7's act as the true balanced main line section. Two (2) of the 6SN7's are operating in the front end ahead of the gain stage as balanced plus/minus 180 degree input buffer stage. The remaining two (2) 6SN7's function as a 'Class A' push-pull zero feedback headphone amplifier. This headphone section amplifier has two on board output transformers to transform the high impedance of the 6SN7's to low impedance for driving the headphones.

There are two power switches to control the AC input voltage to the preamplifier. The large knob on the power supply is the mains power switch. If one places the power supply in another location, the main power switch is turned on. A blue LED in the knob indicates the power supply can be activated by the preamplifier section. Turning the preamplifier power switch sends 12 volts DC to the power supply relay to turn on the main power transformer that powers the tube rectification along with all other voltages required to place the SLP 05 in operation. The two meters on the front of the power supply indicate the B+ plate voltage (210 VDC) along with the plate current (60 ma.). You will always know at a glance if all is OK with the operating conditions.

The SLP 05 is engineered and built to provide a lifetime of musical enjoyment with facilities and features that ensure future compatibility and audiophile performance for many years to come. This preamplifier is a future collector's item and deserves to be installed with the finest ancillary equipment available, such as the CD 306 SACD Pro disc player or the CAD 211FE power amplifiers.

WELCOME

UNPACKING AND INSTALLATION

Unpacking

Your Cary Audio Design product was shipped in a carton particularly designed to protect its contents, and special care has been taken to prevent damage during shipping. Carefully remove your new component from its packing carton and examine it closely for signs of shipping damage. If shipping damage is discovered, document the damage with photographs, contact the transport carrier immediately, and retain the packing as evidence.

We strongly recommend saving all original packing cartons to protect your component for storage or future shipping.

Power Requirements

The SLP 05 Preamplifier is designed to operate from AC mains current. The specified AC voltage is either 110-120 volts or 220-240 volts AC at 50-60 Hz.

Warranty Card

If you are the original purchaser of this unit and you purchased it in the United States, fill out the enclosed warranty registration card and return it to Cary Audio Design within 15 days of your purchase. Warranty restrictions apply. Consult the warranty section of this manual for details. Please keep a copy of the original sales receipt from your Authorized Cary Audio Design dealer to validate the warranty if necessary.

SPECIFICATIONS

Operating the SLP 05 Preamplifier is a simple procedure since each unit is designed for long-term stability in virtually any home operating situation. However, if the unit is operated outside the parameters outlined in this owner's manual, damage may occur. Please read this manual carefully before operating your new SLP 05 Preamplifier.

GENERAL SPECIFICATIONS

Circuit Design	Class A Triode Vacuum Tube Preamplifier Design
Output Voltage	2 Volts rated, 12 Volts maximum
Overall Gain	17dB Single-Ended RCA 24dB Balanced Operation
Rated Distortion	0.03 % THD
Noise and Hum	-90 dB below full output
Input Impedance	50,000 Ohms - RCA 100,000 Ohms - XLR
Output Impedance	400 Ohms
Frequency Response	5 Hz to 250,000 Hz
Vacuum Tubes	8 ea - 6SN7 tubes for the balanced, headphone and gain stages 1 ea - 5AR4 Rectifier Tube in Power Supply
Power Transformers	R Core 200% Duty Cycle
Resistors	1% Metal Film
Capacitors	Polystyrene, Film and Foil
Power Supply Capacitors	2 ea – 560 μ F @ 400 VDC
AC Cord	3 Conductor, Detachable

SPECIFICATIONS

GENERAL SPECIFICATIONS

AC Power Requirements	117 or 234 VAC @ 50 or 60 Hz
Consumption	75 Watts – Operation, 25 Watts - Standby
Warm-Up Time	3 Minutes
Break-In Time	100 Hours of Playing Time
Chassis Finish	Silver Anodized Aluminum Faceplate Std, Black Optional Jaguar® Anthracite Black Finish on Chassis
Net Weight	16 lbs. – Preamplifier 19 lbs. – External Power Supply
Dimensions	6.25" H x 17" W x 12" D – Preamplifier 4.5" H x 17" W x 12" D – Power Supply About 10.5" H Stacked Together

FEATURES

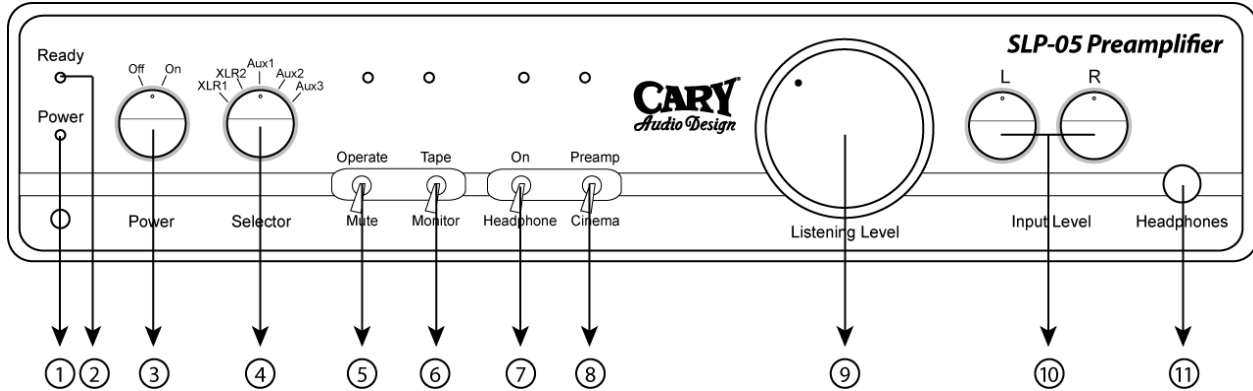
Features of the SLP 05 include:

- Fully Balanced Design
- Motorized remote volume control and muting
- One (1) Cinema Bypass
- One (1) tape monitor loop (RCA Connections)
- Two (2) XLR balanced stereo inputs
- Three (3) RCA stereo inputs
- One (1) XLR balanced preamplifier output
- One (1) RCA preamplifier output

The matching 'chassis size' external power supply comes with 5AR4 vacuum tube voltage rectification and has two front panel meters for the circuit voltage and the current bias readings. The SLP 05 has a timer warm up circuit that allows safe use with "rapid turn on" solid state power amplifiers. The headphone power amplifier, using two 6SN7 octal vacuum tubes, is coupled through audio transformers to produce 1/2 watt per channel to drive your favorite high quality headphones.

CONTROLS

FRONT PANEL PREAMPLIFIER



1. POWER LED (blue)

The blue power LED will light to indicate that the 12 VDC voltage is applied to the input and output selector PC boards. The PC boards control the operation of the SLP 05.

2. READY LED (red)

Indicates that the SLP 05 preamplifier has gone through the initial bias timing delay and is now ready to operate. Generally this action will take about 60 to 90 second to complete after initial turn on.

3. POWER SWITCH

This switch controls the main power relay control system in the external power supply. Turning it to the ON position will power up the 5AR4 rectifier tube in the external power supply while providing the DC filament voltage for the eight (8) 6SN7 vacuum tubes on the SLP 05. You will notice this switch also lights the front panel meters on the power supply.

4. SELECTOR

The selector switch controls the input, gold plated relays that route the appropriate rear panel inputs to the volume control.

5. OPERATE/MUTE

This bat handle switch will either mute the output of the SLP 05 or allow the signal to flow to the basic power amplifier in the system. In the MUTE position the external hand held remote unit will take over the mute/operate function. In other words, the default position for remote hand set operation is in the mute mode. If set to Operate, it cancels the MUTE function in the remote handset.

CONTROLS

6. TAPE/MONITOR

In the UP position this bat handle switch will activate the input jack on the rear panel labeled tape-in. This may be used for a tape recorder or for any other line level input..

7. ON/HEADPHONES

In the UP position will engage the headphone amplifier in the SLP 05. You should turn off your power amplifier when listening to the headphone section. Headphones in the 30 to 300 ohm impedance range will work well with the transformer coupled headphone section.

8. PREAMP/CINEMA

This toggle switch will provide a complete pass through of the Cinema inputs on the rear panel to the power amplifier or amplifiers hooked to the SLP 05. The down position creates this pass through. In the up position, the SLP 05 signals are active to the matching power amplifiers. (Please note: with the power turned off, the default will be Cinema by-pass).

9. LISTENING LEVEL

The large knob with the blue LED will control the input level to the preamplifier input section. This controls the output level of the SLP 05 to the basic amplifier or amplifiers attached to the SLP 05. This control is a motorized analog potentiometer. Depending on the input sensitivity of the mating power amplifiers this listening level control may be used in any position. Do not be concerned if, for instance, you have the control up at say, 3:00 o'clock or even all the way up. This does not stress the SLP 05 in any fashion. The SLP 05 is a Class A operating circuit and in reality is running at full potential at all times. The listening level control simply controls the input voltage level flow.

10. INPUT LEVEL

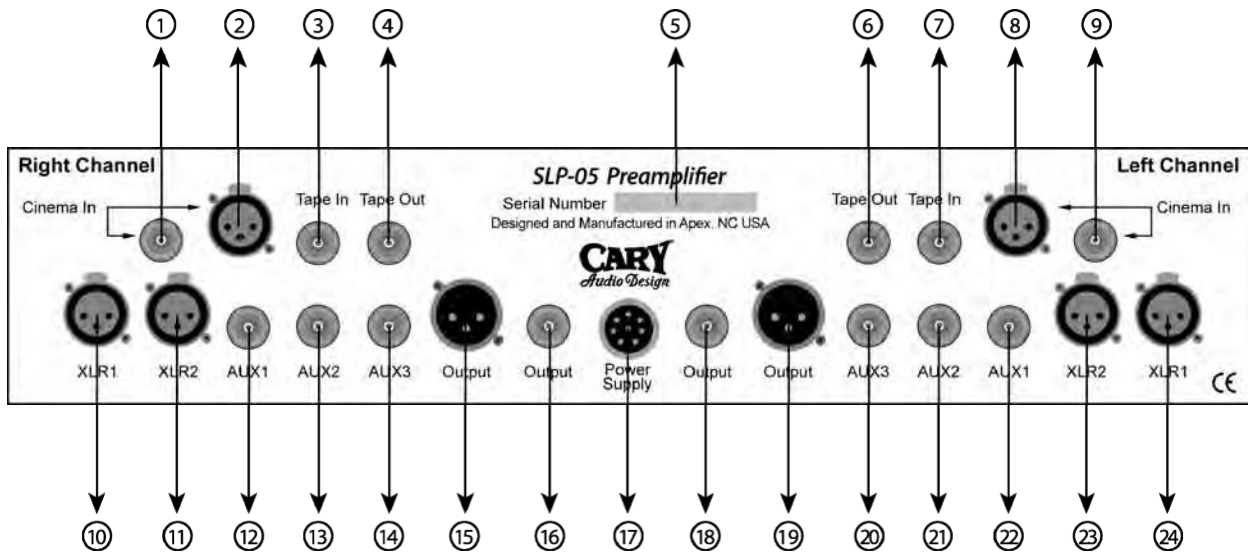
These two individual controls are used for individual left and right channel balancing. In the full clockwise position these controls are basically out of the circuit and allow full input levels to flow to the listening level (volume) control potentiometer.

11. HEADPHONES

Use dynamic 30-300 ohm headphones.

CONTROLS

REAR PANEL PREAMPLIFIER



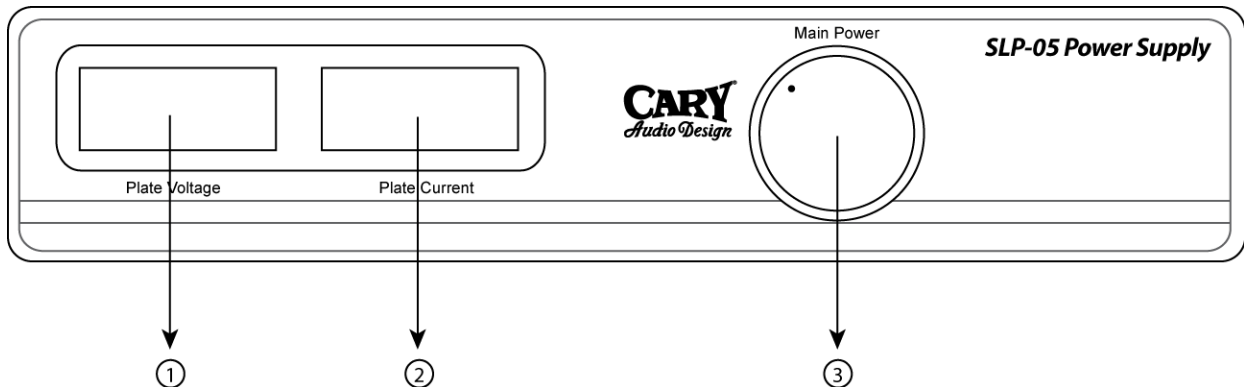
Special Note: The balanced input and output XLR connectors follow the ITT Cannon pin out configuration. This pin-out calls for the shield to be wired to pin #1. The normal- phase (hot) is wired to pin #2. Pin #3 is the inverted phase.

1. **CINEMA INPUT FROM PROCESSOR – RIGHT RCA**
2. **CINEMA INPUT FROM PROCESSOR – RIGHT XLR**
3. **TAPE INPUT– RIGHT RCA**
4. **TAPE OUTPUT– RIGHT RCA**
5. **SERIAL NUMBER**
6. **TAPE OUTPUT– LEFT RCA**
7. **TAPE INPUT– LEFT RCA**
8. **CINEMA INPUT FROM PROCESSOR – LEFT XLR**
9. **CINEMA INPUT FROM PROCESSOR – LEFT RCA**
10. **XLR1 INPUT – RIGHT CHANNEL**
11. **XLR2 INPUT – RIGHT CHANNEL**
12. **AUX1 INPUT – RIGHT CHANNEL RCA**

CONTROLS

13. AUX2 INPUT – RIGHT CHANNEL RCA
14. AUX3 INPUT – RIGHT CHANNEL RCA
15. XLR OUTPUT– RIGHT CHANNEL
16. RCA OUTPUT– RIGHT CHANNEL
17. POWER SUPPLY– 6 FOOT CABLE CONNECTOR
18. RCA OUTPUT– LEFT CHANNEL
19. XLR OUTPUT– LEFT CHANNEL
20. AUX3 INPUT – LEFT CHANNEL RCA
21. AUX2 INPUT – LEFT CHANNEL RCA
22. AUX1 INPUT – LEFT CHANNEL RCA
23. XLR2 INPUT – LEFT CHANNEL
24. XLR1 INPUT – LEFT CHANNEL

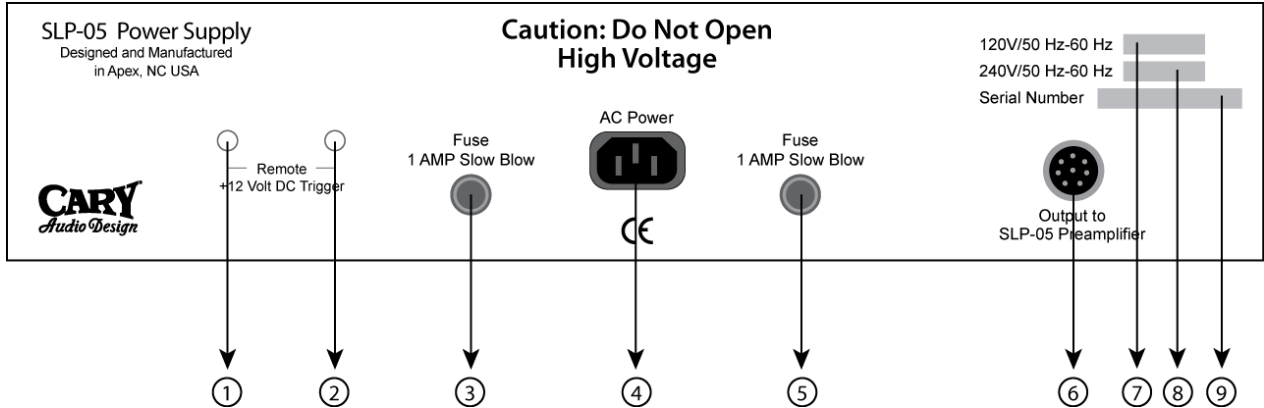
FRONT PANEL POWER SUPPLY



1. PLATE VOLTAGE METER (210 VDC) NOMINAL
2. PLATE CURRENT METER (60Ma) NOMINAL
3. MAIN POWER SWITCH

CONTROLS

REAR PANEL POWER SUPPLY



- 1. REMOTE TRIGGER +14 VOLTS FOR POWER AMPLIFIERS**
- 2. REMOTE TRIGGER +14 VOLTS FOR POWER AMPLIFIERS**
- 3. 1A SLOW BLOW FUSE**
- 4. AC POWER JACK**
- 5. 1A SLOW BLOW FUSE**
- 6. CONNECTION TO PREAMPLIFIER**
- 7. 120v/50Hz-60Hz**
- 8. 240v/50Hz-60Hz**
- 9. SERIAL NUMBER**

CONTROLS

REMOTE CONTROL

See Remote Control insert included in original box.

OPERATION

BASIC OPERATION

The operation of your new SLP 05 is straight forward and not complicated. You may wish to stack the preamplifier on top of the matching power supply. Indentations on the top panel of the SLP 05 power supply will accommodate this set up. You certainly may separate the two units as well. The multi-conductor power cable is 6 foot in length to allow a separate location of the power supply.

Operation can start after all interconnects and power cables have been installed. The large knob on the power supply is the mains power switch. If one places the power supply in a remote location the main power switch is turned on. A blue LED in the knob indicates the power supply can be activated by the preamplifier section. Turning the preamplifier power switch sends 12 volts DC to the power supply relay to turn on the main power transformer that powers the tube rectification along with all other voltages required to place the SLP 05 in operation. The two meters on the front of the power supply indicate the B+ plate voltage (210 VDC) along with the plate current (60 ma.). You will always know at a glance if all is OK with the operating conditions. The large main power supply power switch maybe left in the ON position continuously.

When you activate the preamplifier power on switch you will notice a blue LED showing at the left lower side of the front panel. This indicates the SLP 05 is receiving the necessary power from the matching supply. After approximately 60 to 90 seconds please observe the red LED labeled ready. The SLP 05 is ready to operate into the matching basic power amplifiers at this time.

Operating the SLP 05 from the remote hand set will allow volume level changes. The remote handset sends an infrared signal to the receiver on the left lower portion of the front panel. This signal is then received and directs the internal processor to send DC voltage to the motor attached to the rear of the volume control potentiometer. If you would also like to have the feature of the remote mute function simply place the mute- operate switch into the lower mute position. Now the remote hand set will control the mute-operate function.

HEADPHONE LISTENING

If you choose to listen with headphones simply turn off the system power amplifiers. Then flip the headphone switch on the front panel to the up position. Plug in any 30 to 300 ohm set of headphones into the ¼ inch stereo jack. The regular functions of the SLP 05 still apply when listening with headphones. After a listening session utilizing the headphone amplifier in the SLP 05 once again toggle the headphone switch to the lower position. You can then switch back on the main system amplifiers.

SERVICE AND CARE

CARE AND CLEANING

Unplug the unit from the wall outlet before cleaning. Clean the cabinet housing and front panel of the SLP 05 with a soft cloth and a glass cleaner (such as Windex). The frequency of cleaning will vary based on the cleanliness of the environment and the number of hours the SLP 05 is operated. Do not use solvents or harsh chemicals to clean the preamplifier. They may remove the labels or lettering from the chassis. Avoid letting the component become dusty or wet. A 'feather duster' type cleaner will also work well for cleaning the component when the unit is cool.

FACTORY SERVICE

Careful consideration has been given to the design of your SLP 05 to keep maintenance problems to a minimum. Any problems or requests for service should be referred to our Customer Service Department at 919.355.0010. Do not return the SLP 05 to the factory without a return authorization number (RA) from the Customer Service Department. Refer to the next section for details about returning equipment to Cary Audio Design.

Should the unit be lost or damaged in shipment, Cary Audio Design will assume no responsibility if the shipping company refuses to pay for damage due to your improper packing or lack of insurance. Please use the original shipping carton for shipping the player.

NON-WARRANTY REPAIRS

Cary Audio will provide repair service for its products charging on a time and expense basis. At this time, the standard non-warranty service bench fee is \$125 for the first hour and \$95 per hour thereafter. Parts used for repairs as well as return shipping are additional. This may change and is not a quote for service. Please call us at 919-355-0010 for more information about out-of-warranty service and repair fees.

WARNINGS

- **Make no attempt to put the SLP 05 Preamplifier in service with the chassis open - Contact with high voltages found in the unit can be fatal.**
- **Completely remove AC power plug from the wall and allow 30 minutes for the high voltage capacitors to discharge through bleeder resistors before attempting to clean the inside of the component.**

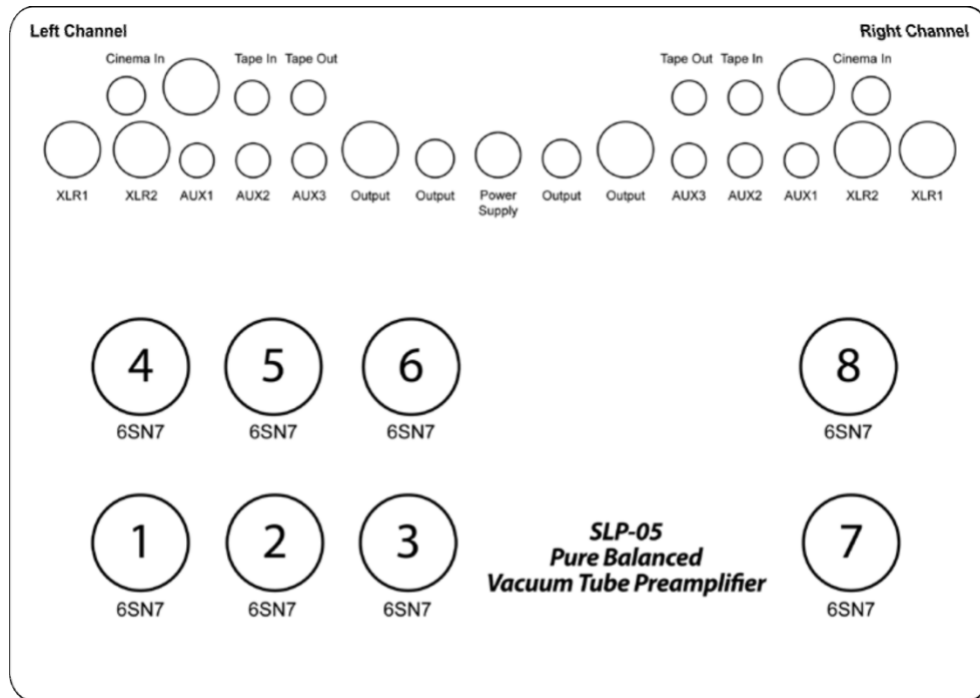
CAUTIONS

- **Never remove/insert AC plug when the unit is on or the AC power switch is in the "ON" position.**

SERVICE AND CARE

TUBE PLACEMENT CHART

Refer to the diagram below for the location of the tubes and their functions.



1. 6SN7 tube – left channel positive phase gain – buffer
2. 6SN7 tube – right channel positive phase gain – buffer
3. 6SN7 tube – left channel balanced input buffer
4. 6SN7 tube – left channel negative phase gain – buffer
5. 6SN7 tube – right channel negative phase gain – buffer
6. 6SN7 tube – right channel balanced input buffer
7. 6SN7 tube – right channel headphone amplifier
8. 6SN7 tube – left channel headphone amplifier

LIMITED WARRANTY

Cary Audio Warrants to the original United States purchaser for use in the United States the Following Cary Audio Products for the Periods Indicated:

1. Power Amplifiers, Integrated Amplifiers, Surround Sound Processors, and Preamplifiers have a three (3) year parts and labor warranty from the date of the original purchase from Cary Audio.
2. CD or SACD players, DVD players, or Music Servers have an eighteen (18) month parts and labor warranty from the date of the original purchase from Cary Audio.
3. Vacuum tubes, if any are used in the component, are offered a 90-day exchange policy against defects with the exception of the CAVT 300B vacuum tube that has a one (1) year exchange policy from the date of the original purchase from Cary Audio.

What is Covered and What is Not Covered

Except as specified below, this warranty covers parts and labor to correct all defects in materials and workmanship. The following are not covered by the warranty:

1. Damage, deterioration, malfunction or failure to meet performance specifications resulting from:
 - a. Accident, acts of nature, misuse, abuse, neglect or unauthorized product modifications
 - b. Improper installation, removal or maintenance, or failure to follow instructions supplied with the product.
 - c. Repair or attempted repair by anyone not authorized by Cary Audio to repair the product.
 - d. Any shipment of the product (claims must be presented to the carrier).
 - e. Any cause other than a product defect.
2. Cleaning, initial set-up, check-ups with no defects found, or charges incurred for installation, removal or reinstallation of the product.
3. Any product, on which the serial number has been defaced, modified or removed.
4. Batteries.
5. Accessories, including but not limited to, batteries, cables, mounting hardware and brackets, cleaning accessories, antenna and detachable power cords.
6. Warranty is void if purchase was made from anyone other than an authorized Cary Audio dealer.

Who May Enforce the Warranty?

This warranty extends to products purchased directly from Cary Audio or an authorized Cary Audio dealer. Purchasers should inquire of the dealer regarding the nature and extent of the dealer's warranty, if any.

To obtain such warranty service, the original purchaser must complete and send in the Warranty Registration Card within 15 days of purchase.

LIMITED WARRANTY

What Will We Pay For?

We will pay for all labor and material expenses for items covered by the warranty. Payment of shipping charges is discussed in the next section of this warranty.

How You Can Get Service?

In the event that the owner needs to return the unit to Cary Audio for service or repair of a possible defect, he must follow the following steps:

1. Contact Cary Audio at 919-355-0010 to obtain a Return Merchandise Authorization (RMA) number prior to shipping; include this number with the package
2. Submit a copy of the original sales receipt; blank receipts will not validate the limited warranty for service by Cary Audio. The original sales receipt must contain the following information:
 - a. The authorized Cary Audio dealer's name
 - b. The date of purchase
 - c. The unit's sales price
 - d. The buyer's name and address
 - e. Describe in detail the problem.
 - f. Note the unit's model number and serial number.
3. Deliver by either of these methods:
 - a. With all freight and insurance charges prepaid and in its original packing container or equivalent, ship the component to Cary Audio, 1020 Goodworth Drive Apex, NC 27539.
 - b. Hand-deliver the product to Cary Audio (address noted above) or the nearest authorized service facility.

Limitation of Implied Warranties

All implied warranties, including warranties of merchantability and fitness for particular purchase, are limited in duration to the length of this warranty.

Exclusion of Damages

Cary Audio's liability for any defective product is limited to repair or replacement of the product at Cary Audio's option. Cary Audio shall not be liable for damage to other products caused by any defects in Cary Audio products, damages based upon inconvenience or loss of use of the product, or any other damages, whether incidental, consequential, or otherwise.

LIMITED WARRANTY

How State Law Relates to the Warranty

Some states do not allow limitations on how long an implied warranty lasts and/or do not allow the exclusion or limitation of incidental or consequential damages, so the above limitations or exclusions may not apply to you.

This warranty gives you specific legal rights, and you may also have other rights which vary from state to state.

International Purchasers (Export Markets)

Cary Audio warrants its merchandise to purchasers within the United States exclusively for use within the United States. It provides no other warranties, expressed or implied. If you are living outside of the United States, please consult your local dealer or distributor to determine the details of your local warranty.

CARY AUDIO

6301 Chapel Hill Road
Raleigh, NC 27607
919.355.0010
caryaudio.com
carydirect.com